

Fee: 1 year \$15.00  
 3 years \$40.00

# RATING REQUEST FORM

Mail form and check payable to  
 NC-PHRF to Club representative \*

**VALID THRU**



For Handicapper's Use Only

SAIL NO.	BOAT MAKE	YR	CLUB	RATING ADJUSTMENTS		STD. OR BASE RATING _____
BOAT MODEL		RIG	DESIGNER		LARGEST JIB	% LP
MASTER OR OWNER				SPIN OR POLE		
ADDRESS				MAST		
CITY		STATE	ZIP		PROP	
HOME PHONE		ALT. PHONE		MISC		
E-MAIL ADDRESS						
I understand that it is my responsibility to notify the handicapper of changes to this yacht—which affect measurement points, handicap adjustments, or would alter her from a standard boat.				RACING RATING _____		HANDICAPPER'S COMMENTS
SIGNATURE OF MASTER OR OWNER _____			DATE _____			
YACHT NAME – _____						
				SIGNATURE OF HANDICAPPER _____		DATE _____

**MEASUREMENTS (defined on www.ncphrf.com)**

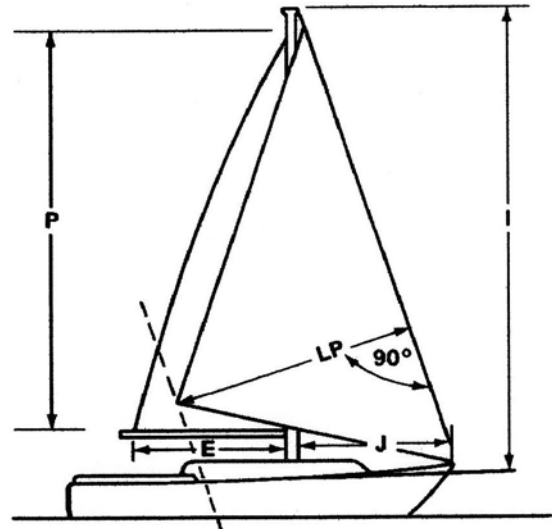
I		G	
J		LOA	
P		LWL	
E		BEAM	
ISP		DRAFT	
SML		DISPL lbs	
LP		BAL lbs	
SPL		MATERIAL	

**MAINSAIL GIRTH \*\***

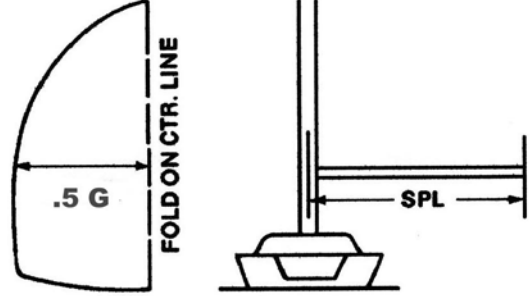
7/8 LEECH		1/2 LEECH	
3/4 LEECH		1/4 LEECH	

**VARIABLES**

<b>ENG</b>	<b>PROP INSTAL</b>	<b>RIG</b>	
INBOARD <input type="checkbox"/>	IN APERTURE <input type="checkbox"/>	MASTHEAD <input type="checkbox"/>	
OUTBOARD <input type="checkbox"/>	EXPOSED SHAFT <input type="checkbox"/>	FRACTIONAL <input type="checkbox"/>	
NONE <input type="checkbox"/>	SAIL DRIVE <input type="checkbox"/>	OTHER <input type="checkbox"/>	
	<b>PROP TYPE</b>	Roller furl above deck for all headsails? YES <input type="checkbox"/>	
<b>RUDDER</b>	FOLDING <input type="checkbox"/>	NO <input type="checkbox"/>	
ATTACHED <input type="checkbox"/>	FEATHERING <input type="checkbox"/>		
SKEG <input type="checkbox"/>	SOLID 2-BL <input type="checkbox"/>	<b>KEEL</b>	
SPADE <input type="checkbox"/>	SOLID 3-BL <input type="checkbox"/>	FIN <input type="checkbox"/>	
	<b>MODIFICATIONS</b>	FULL <input type="checkbox"/>	
<b>MAST</b>	CLASS BOAT – ODR <input type="checkbox"/>	WING <input type="checkbox"/>	
STANDARD <input type="checkbox"/>	CLASS BOAT – PHRF <input type="checkbox"/>	CTR BD <input type="checkbox"/>	
TALL RIG <input type="checkbox"/>	MODIFIED CLASS <input type="checkbox"/>	DROP <input type="checkbox"/>	
OTHER <input type="checkbox"/>	CUSTOM <input type="checkbox"/>	OTHER <input type="checkbox"/>	



**SPIN. GIRTH MEAS.**



\* Closest NC-PHRF officer—to be found on www.ncphrf.com  
 \*\* Required for large roach mainsails